


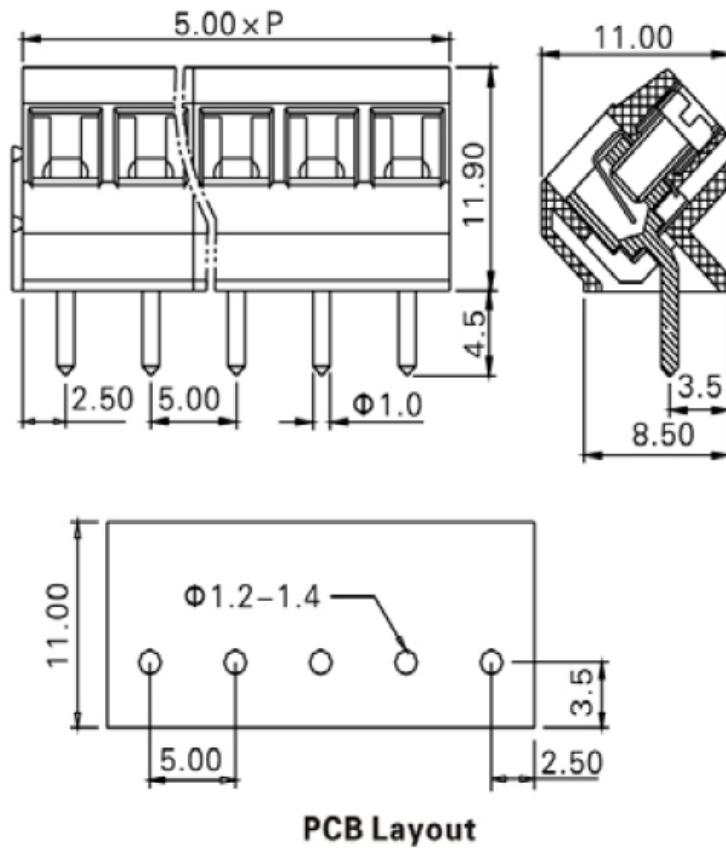


- Product type: PCB terminal,
- Wiring method: spring connection,
- Spacing: 5.00mm,
- Voltage: 300V,
- Current: 15A,
- Number of digits: 2-24P

BASICPARAMETERS

Pitch:	5.00mm
Rated voltage-UL:	300V
Rated current-UL:	15A
Rated voltage-IEC:	-
Rated current-IEC:	-
Wire range-UL:	22-14AWG
Wire range-IEC:	-
Pole number:	02~24P
Insulation Material:	PA66 UL94 V-0
Material & Plating of Current carrier:	Copper alloy, Tin plated
Insulation Resistance:	500MΩ or more at DC500V
Withstanding Voltage(1Min):	2200V
Wire clamp unit Screw, torque Max.:	M2.5, 0.4Nm Max
Material of Clamp spring:	-
Wire stripping length:	5.0mm
Operating temperature:	-40°C ~ +105°C
Soldering recommend:	Wave soldering, 260°C 5S Max(Single Wave), 260°C 10S Max(Double Wave)
Approval:	

DIMENSION DRAWING



订购产品

Product Name	Pitch	Pole number	Part No.	3D Download	2D Download
Fixed Terminal	5.00mm	02~24P	SA500-10		

Data download

PRODUCT CATALOG	Terminal Selection Manual
-----------------	---